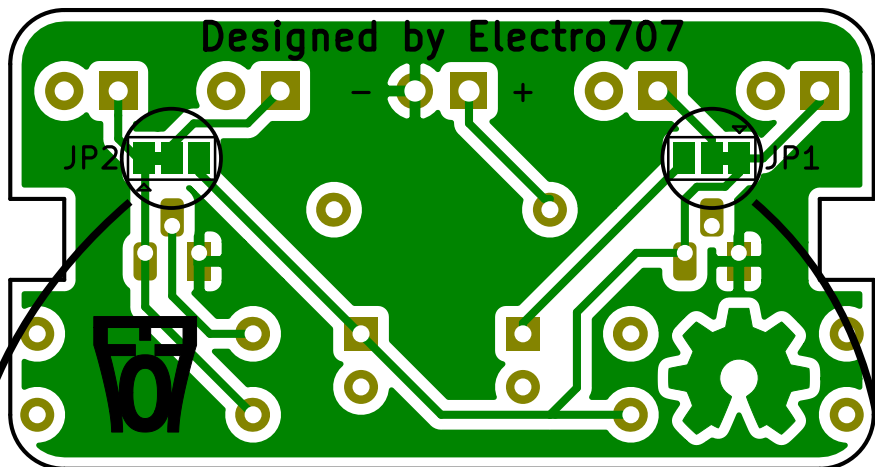
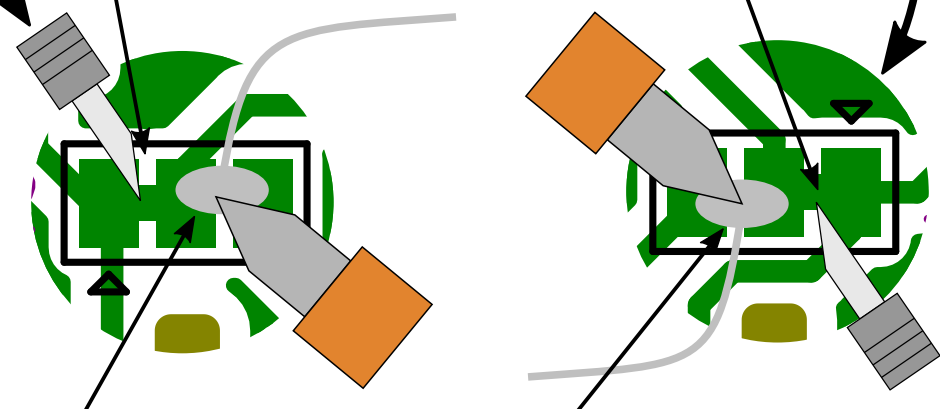


Blinky Lights Kit - Jumper Configuration

How to switch from Config#1 to Config#2:



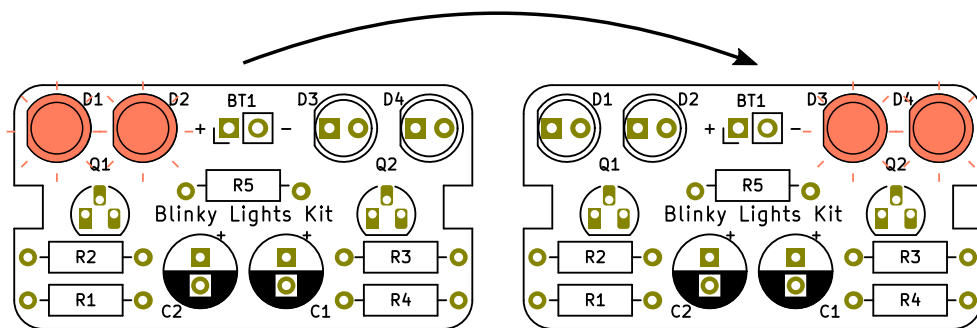
1) Cut the pre-existing copper trace.



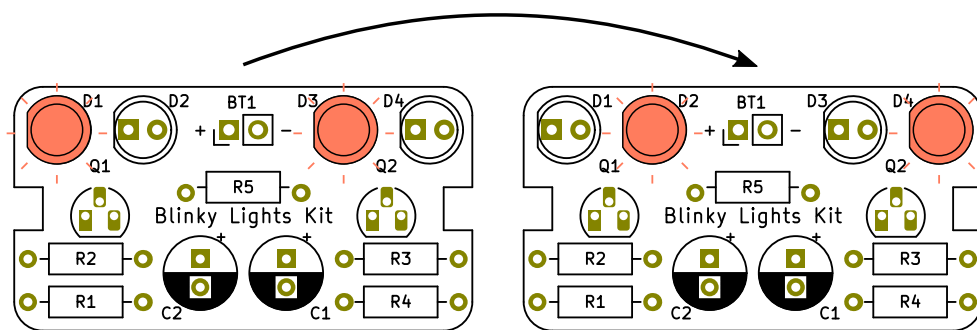
2) Solder a jumper between the middle pad and the other pad which wasn't previously connected.

Blinking Configurations:

Configuration #1 (default):



Configuration #2:



Note: All LEDs that are blinking at any one time (depending on which configuration is set) needs to be the same color when soldered on to the board.