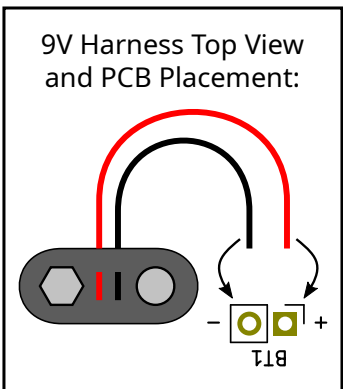
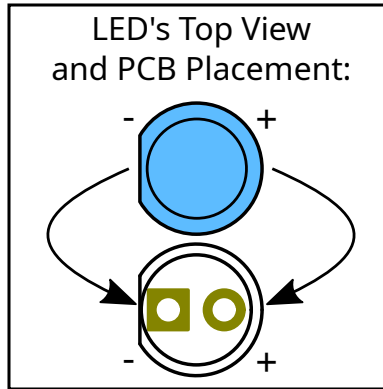
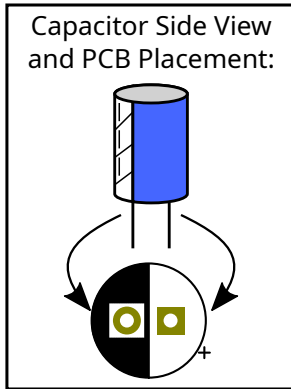
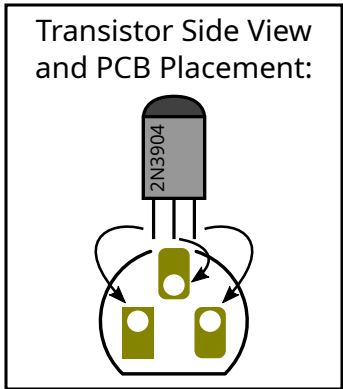
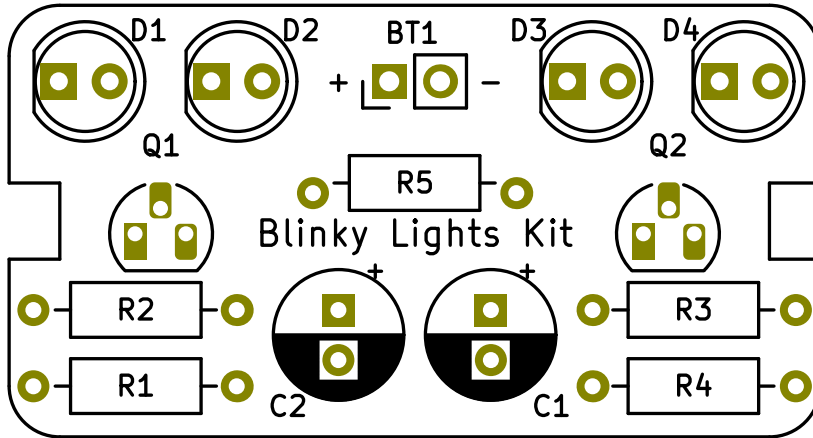


Blinky Lights Soldering Kit

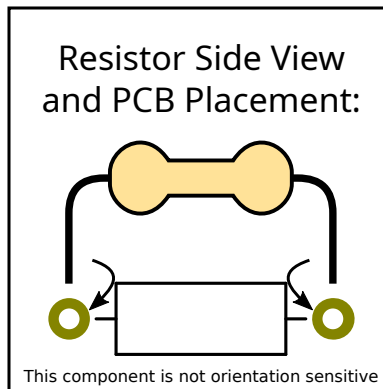


Designed by Electro707, Soldered by you!

PCB Layout



Component PCB Placement



Reference	Components	
R1&R4	270Ω Resistor (Red-Purple-Brown-Yellow)	
R2&R3	10kΩ Resistor (Brown-Black-Orange-Yellow)	
R5	1kΩ Resistor (Brown-Black-Red-Yellow)	
C1-C2	100μF Capacitor Polarized Electrolytic	
Q1-Q2	2N3904 NPN Transistor	
D1-D4	5mm LED Any color you desire*	

*By default, D1 and D2 are in a "group", and D3 and D4 are in another "group". All LEDs in a "group" must match colors (but the 2 groups could have different colors). This can be changed so that D1 and D4 are in a group while D2 and D3 are in another group. Please see the "Jumper" section for details.