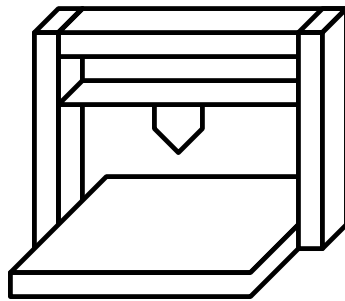
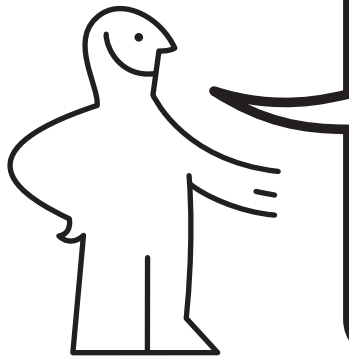
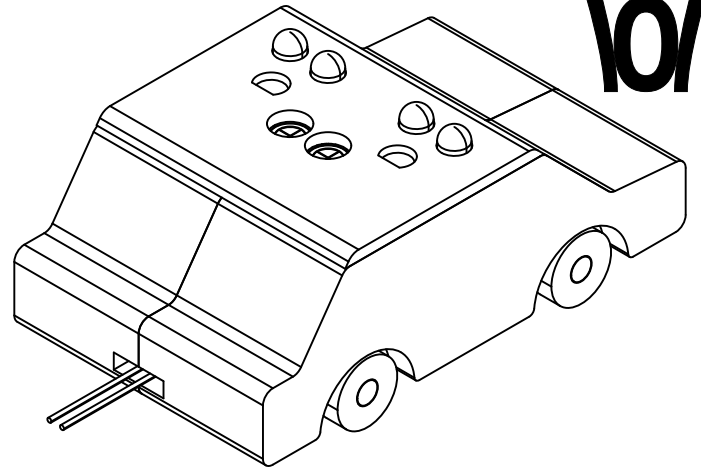
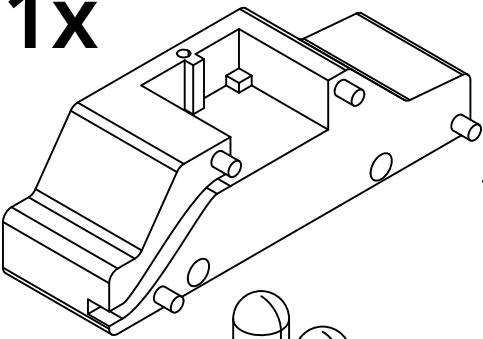


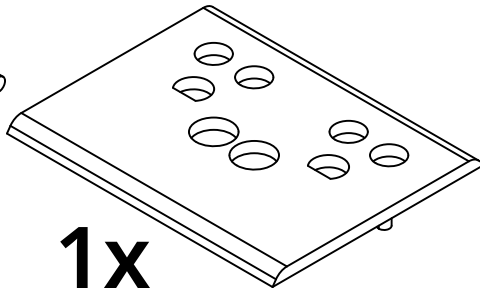
Blinking Lights Car Enclosure Instructions



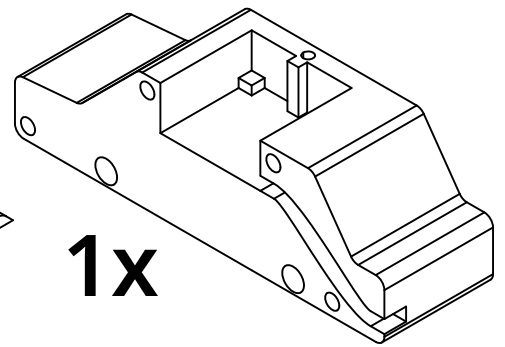
1x



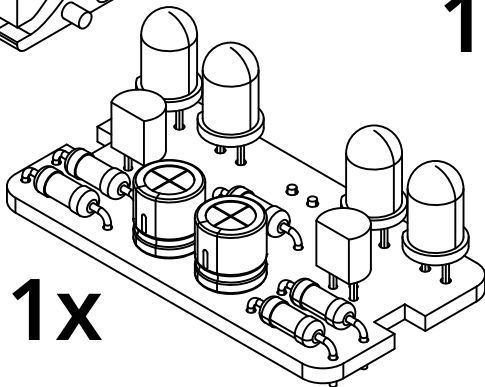
1x



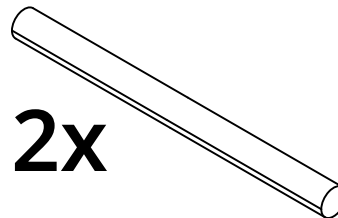
1x



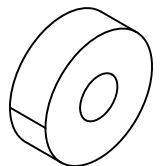
1x



2x



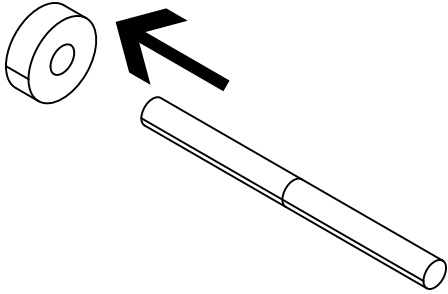
4x



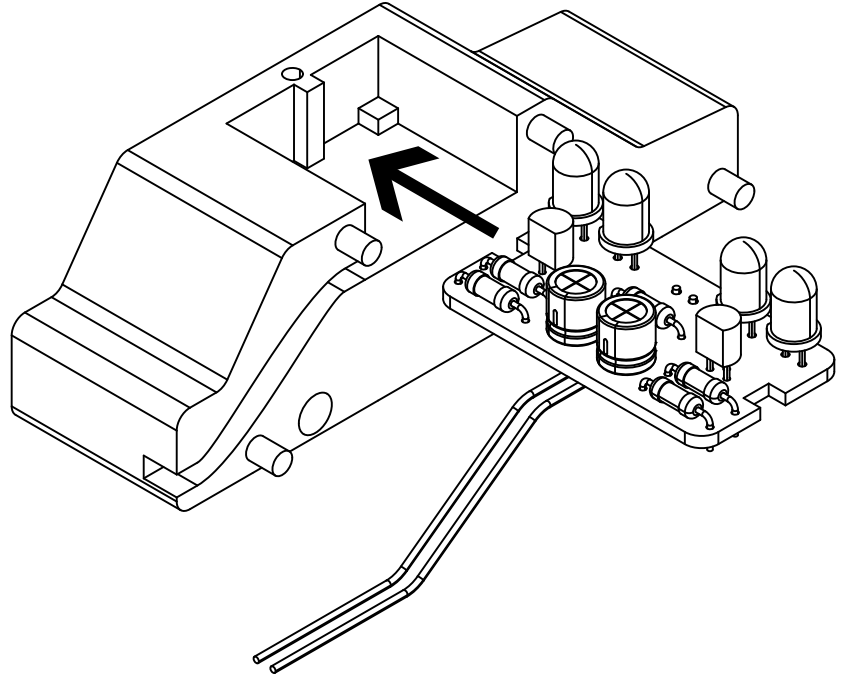
Notice: This project is not sponsored nor affiliated with IKEA™. The IKEA™ icons are used in project to give this manual the IKEA™ charm and because they look pretty.

3D Car Enclosure model designed by Jamal Bouajaj. Manual drawn by Jamal Bouajaj

1



2



3

